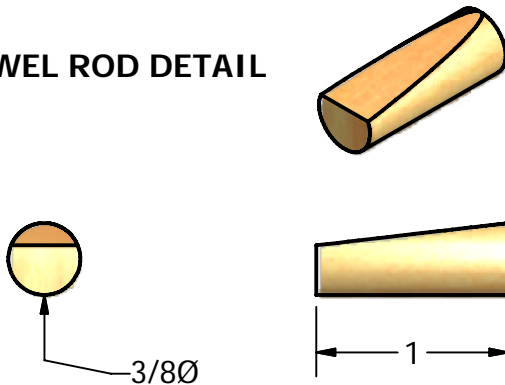


$\varnothing 3/8 \nabla 2 1/4$

$\varnothing 3/8 \nabla 1 3/4$

NOTE: DRILL HOLES BEFORE CUTTING NOTCH

DOWEL ROD DETAIL



DRAWN jshilts	3/17/2010	TITLE Double Whistle		
CHECKED				
QA				
MFG				
APPROVED		SIZE A	DWG NO Double Whistle	REV
		SCALE		SHEET 2 OF 2